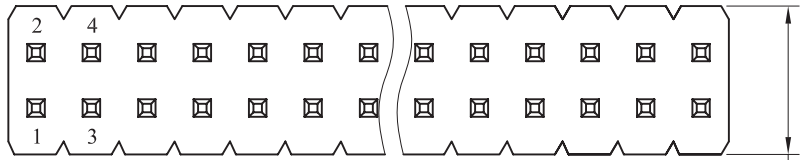
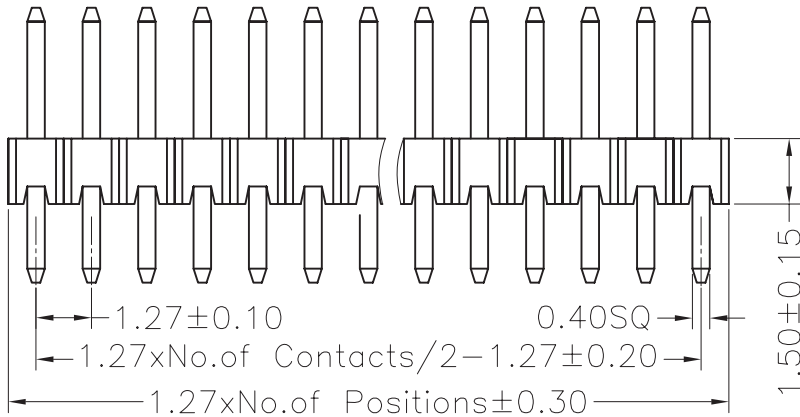
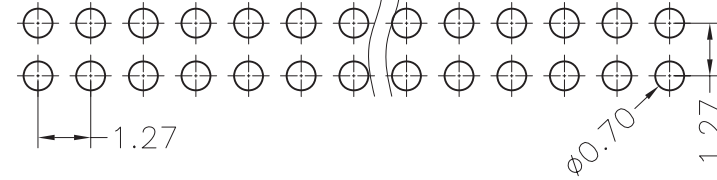


REV.	ECN	DESCRIPTION	APPROVED
A	YTXXXX	RELEASE TO CUSTOMER.	SKY 02/23/11

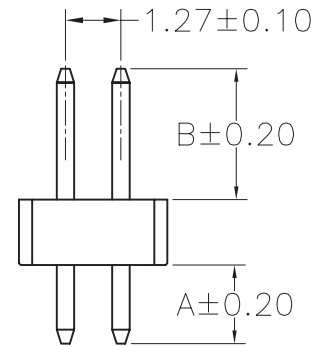


3.40±0.15

Recommended P.C.B Layout(Top Side)  
(PCB BOARD TOLERANCE±0.05)



1.50±0.15



NOTES:  
 Current Rating:1AMP  
 Contact Resistance:20mΩ max  
 Withstand Voltage:500V AC/DC  
 Insulation Resistance:1000MΩ min  
 Operation Temperature:-40°C to +105°C



Part No. Information:  
 3126. 3XX073. 30XG100

No.of Pins per  
ROW:02~40PIN

Packing:  
1=PE Bag  
3=Tube  
8=BOX

Contact Material:Brass  
 Contact plating:Goldflash over Ni  
 Insulator Material:PA6T+30%GF(UL94V-0)

## Dimension antitheses list

ITEM	A	B
Standard	2.80	3.00
Alternate		

UNLESS OTHERWISE SPECIFIED TOLERANCES		<b>UTE</b> YOUTE ELECTRONIC CO.,LTD	
.X	+/- 0.35	X	+/- 3.0°
.XX	+/- 0.25	.X	+/- 2.0°
.XXX	+/- 0.15	.XX	+/- 1.0°
DRAWING FILE :		TITLE	
FOR MATERIALS AND FINISHES SEE NOTES		CUSTOMER DRAWING	
PROJECTION		DESCRIPTION	
		PHI. 27 2XNP 180度 H=1.5 L=7.3/2.8	
DRAWN	PING LI 02/23/11	SIZE	DRAWING NO.
CHECKED	RAIN FAN 02/23/11	A4	3126. 3XX073. 30XG100
UNIT	MM	APPROVED	SKY WANG 02/23/11
		SCALE	NONE
		SHEET 1 OF 1	